

PARTS LIST

[XV-S60BK/XV-S62SL/XV-S65GD]

* All printed circuit boards and its assemblies are not available as service parts.

Area Suffix (XV-S60BK)
J ----- U.S.A.
C ----- Canada

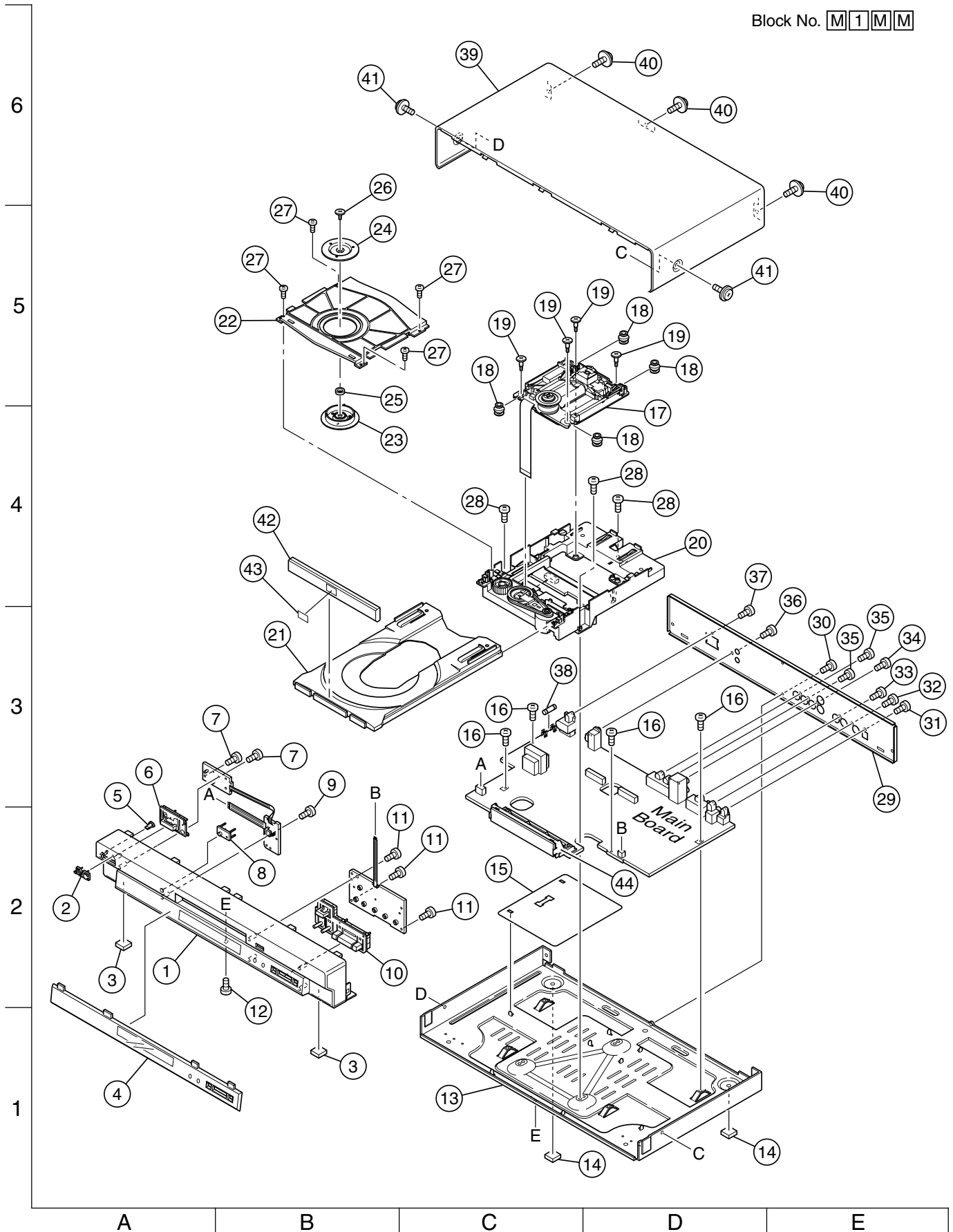
**Area Suffix
(XV-S62SL/XV-S65GD)**
J ----- U.S.A.

- Contents -

Exploded view of general assembly and parts list 3-2
DVD Traverse mechanism assembly and parts list 3-5
DVD Loading mechanism assembly and parts list 3-7
Electrical parts list 3-9
Packing materials and accessories parts list 3-16

Exploded view of general assembly and parts list

Block No. M1MM



■ Parts list (General assembly)

Block No. M1MM

△	Item	Parts number	Parts name	Q'ty	Description	Area
	1	LE10251-030A	FRONT PANEL	1		62
		LE10251-006A	FRONT PANEL	1		65
		LE10251-005A	FRONT PANEL	1		60C, 60J
	2	VJD5429-002SS	JVC MARK	1		62
		VJD5429-001SS	JVC MARK	1		60C, 60J, 65
	3	LE40798-001A	SPACER	2		
	4	LE20535-007A	WINDOW SCREEN	1		
	5	LE30900-001A	INDICATOR	1		
	6	LE20537-001A	PUSH BUTTON	1		60C, 60J
		LE20537-002A	PUSH BUTTON	1		62
		LE20537-003A	PUSH BUTTON	1		65
	7	QYSBSF2608Z	T.SCREW	2		
	8	LE30899-002A	REMOTE LENS	1		62, 65
		LE30899-001A	REMOTE LENS	1		60C, 60J
	9	QYSBSF2608Z	T.SCREW	1		
	10	LE20538-001A	PUSH BUTTON	1		60C, 60J
		LE20538-002A	PUSH BUTTON	1		62
		LE20538-003A	PUSH BUTTON	1		65
	11	QYSBSF2608Z	T.SCREW	3		
	12	QYSDSG3008M	SCREW	1		60C, 60J
		QYSDSG3008N	T.SCREW	1		62, 65
	13	LE10250-001A	CHASSIS BASE	1		
	14	LE40798-001A	SPACER	2		
	15	LE40768-002A	PROTECT SHEET	1		
	16	QYSBSGG3008E	T.SCREW	4		
	17	-----	TRAVERSE MECHANISM	1	See 3-5 page	
	18	LV41659-001A	INSULATOR	4		
	19	LV41424-001A	SPECIAL SCREW	4		
	20	-----	LOADING MECHANISM	1	See 3-7 page	
	21	LV10582-001A	TRAY LONG TYPE	1		
	22	LV20913-002A	CLAMPER BASE	1		
	23	LV32417-001A	CLAMPER	1		
	24	LV42089-001A	YOKE	1		
	25	LV41118-003A	MAGNET	1		
	26	LV41741-001A	SPECIAL SCREW	1		
	27	QYSBSF2008Z	SCREW	4		
	28	QYSBSG3010E	T.SCREW	3		
	29	LE20542-038A	REAR PANEL	1		62
		LE20542-047A	REAR PANEL	1		65
		LE20542-034A	REAR PANEL	1		60C, 60J
	30	QYSBSGY3008M	SPECIAL SCREW	1	REAR + CHASSIS	
	31	QYSBSGY3008M	SPECIAL SCREW	1	OPTICAL OUT	
	32	QYSBSGY3008M	SPECIAL SCREW	1	COAXIAL	
	33	QYSBSGY3008M	SPECIAL SCREW	1	AUDIO OUT	
	34	QYSBSGY3008M	SPECIAL SCREW	1	VIDEO OUT	
	35	QYSBSGY3008M	SPECIAL SCREW	2	COMPONENT	
	36	QYSBSGY3008M	SPECIAL SCREW	1	AV CONPU LINK	
	37	QYSBSGY3008M	SPECIAL SCREW	1	AC INLET	

Explanation of area column

62 =XV-S62SL ver.J
65 =XV-S65GD ver.J
60C=XV-S60BK ver.C
60J =XV-S60BK ver.J

■ Parts list (General assembly)

Block No. M1MM

△	Item	Parts number	Parts name	Q'ty	Description	Area
△	38	QMF51U1-1R6-J8	FUSE	1		
	39	LE20541-003A/S/	METAL COVER	1		65
		LE20541-001A/S/	METAL COVER	1		60C, 60J
		LE20541-002A/S/	METAL COVER	1		62
	40	QYSBSGG3008E	T.SCREW	3		
	41	E406308-003	SPECIAL SCREW	2		60C, 60J
		E406308-004	SPECIAL SCREW	2		62, 65
	42	LE20536-004A	FITTING	1		60C, 60J
		LE20536-006A	FITTING	1		65
		LE20536-010A	FITTING	1		62
	43	LE40757-001A	MARK	1		60C, 60J, 65
		LE40757-002A	MARK	1		62
	44	LE20540-001A	FL HOLDER	1		

Explanation of area column

62 =XV-S62SL ver.J
65 =XV-S65GD ver.J
60C=XV-S60BK ver.C
60J =XV-S60BK ver.J

■ Parts list (DVD Traverse mechanism assembly)

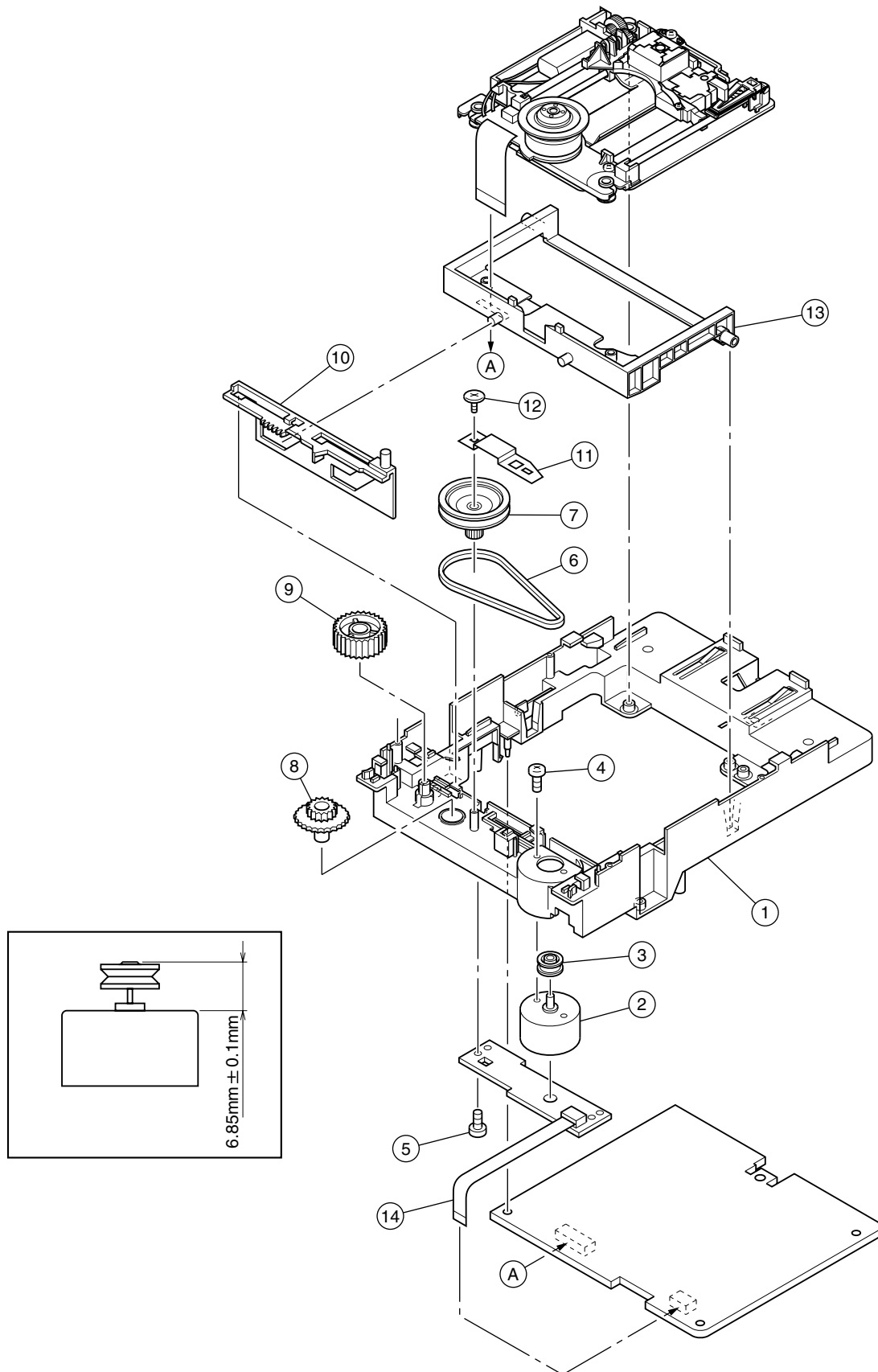
Block No. M2MM

△	Item	Parts number	Parts name	Q'ty	Description	Area
	1	LE20520-001A	MECHA BASE	1		
	2	LE20516-001A	SPINDLE BASE	1		
	3	QYSDST2605M	TAPPING SCREW	3		
	4	LE30909-001A	HOLDER	1		
	5	QAR0165-001	FEED MOTOR	1		
	6	LV41510-001A	FEED GEAR	1		
	7	QYSPSPU2040M	SCREW	2		
	8	LV41512-001A	FEED GEAR	1		
	9	LV41517-001A	LEAD SCREW	1		
	10	LV41511-002A	FEED GEAR	1		
	11	LE40742-001A	TORSION SPRING	1		
	12	QYSDSF2005Z	SCREW	1		
	13	QYSDST2605M	TAPPING SCREW	2		
	14	LE20517-001A	HOLDER	1		
	15	LE40744-001A	SPRING	1		
	16	LV41121-002A	SLIDE SHAFT	2		
	17	QYSDST2605M	TAPPING SCREW	1		
	18	QAL0279-001	OPTICAL PICK-UP	1		
	19	LE20519-001A	ACTUATOR	1		
	20	LE30886-001A	SPRING	1		
	21	QYSPSPU1740Z	SCREW	2		
	22	LE30888-001A	SPRING	1		
	23	QYSPSPU1420Z	SCREW	1		
	24	LE40743-001A	SPRING	1		
	25	LE40774-001A	PLATE	1		
	26	QYSDST2606Z	SCREW	1		
	27	QAL0284-001	F.P.C.WIRE ASSY	1		
	28	QAR0162-001	DC MOTOR	1		
	29	QYSPSPU1760Z	SCREW	3		
	30	QYYASPF2608N	SCREW	3		

DVD Loading mechanism assembly and parts list

Block No.

M	3	M	M
---	---	---	---



■ Parts list (DVD Loading mechanism assembly)

Block No. M3MM

△	Item	Parts number	Parts name	Q'ty	Description	Area
	1	LV10454-005A	LOADING BASE	1		
	2	QAR0164-001	MOTOR	1		
	3	LV42087-001A	MOTOR PULLEY	1		
	4	QYSPSPU1730Z	SCREW	1		
	5	VKZ4777-003	MINI SCREW	1		
	6	LV42209-001A	BELT	1		
	7	LV42084-002A	PULLEYGEAR	1		
	8	LV42085-002A	MIDDLE GEAR	1		
	9	LV42086-001A	IDLE GEAR	1		
	10	LV32514-002A	SLIDE CAM	1		
	11	LV42348-001A	GEAR BRACKET	1		
	12	QYSBSF2006Z	SCREW	1		
	13	LV20912-002A	ELEVATOR	1		
	14	QUQ110-0610AJ	FFC WIRE	1		

■ Electrical parts list (Loading motor board)

Block No. 03

△	Item	Parts number	Parts name	Remarks	Area
	CN 1	QGF1016F3-06	CONNECTOR		
	S 1	QSW0910-002	SWITCH		
	S 2	QSW0910-002	SWITCH		

■ Electrical parts list (DVD Servo Control board) Block No. 02

△	Item	Parts number	Parts name	Remarks	Area	△	Item	Parts number	Parts name	Remarks	Area
	C 101	NCB31CK-104X	C CAPACITOR				C 232	NCB31HK-102X	C CAPACITOR		
	C 104	NCB31CK-104X	C CAPACITOR				C 233	NCB31CK-104X	C CAPACITOR		
	C 105	NEA70JM-476X	E.CAPACITOR				C 237	NCB31CK-104X	C CAPACITOR		
	C 106	NEA70JM-476X	E.CAPACITOR				C 238	NCB31CK-104X	C CAPACITOR		
	C 107	NCB31CK-104X	C CAPACITOR				C 239	NCB31CK-183X	C CAPACITOR		
	C 108	NCB31CK-104X	C CAPACITOR				C 240	NCS31HJ-101X	C.CAPA. C.M		
	C 109	NCB31CK-104X	C CAPACITOR				C 241	NCB31CK-103X	C CAPACITOR		
	C 118	NCB21CK-154X	C.CAPACITOR				C 242	NCB11CK-105X	C CAPACITOR		
	C 119	NCS31HJ-221X	C.CAPA. C.M				C 244	NCB31CK-104X	C CAPACITOR		
	C 120	NCS31HJ-820X	C CAPACITOR				C 245	NCB31CK-103X	C CAPACITOR		
	C 121	NCS31HJ-220X	C CAPACITOR				C 246	NCB31CK-104X	C CAPACITOR		
	C 122	NCB31HK-181X	C CAPACITOR				C 247	NCB31CK-104X	C CAPACITOR		
	C 123	NCB31CK-104X	C CAPACITOR				C 248	NCB21CK-154X	C.CAPACITOR		
	C 124	NCB31CK-104X	C CAPACITOR				C 249	NCB31CK-223X	C CAPACITOR		
	C 125	NCB31CK-104X	C CAPACITOR				C 251	NCB31CK-104X	C CAPACITOR		
	C 126	NEA70JM-107X	E.CAPACITOR				C 252	NEA71CM-226X	E.CAPAP. C.M		
	C 127	NCB31HK-102X	C CAPACITOR				C 253	NCB31CK-104X	C CAPACITOR		
	C 128	NCB31CK-104X	C CAPACITOR				C 254	NEA70JM-226X	E CAPACITOR		
	C 130	NCB31CK-104X	C CAPACITOR				C 255	NCB31HK-223X	C CAPACITOR		
	C 131	NCS31HJ-120X	C.CAPA. C.M				C 256	NCB31CK-104X	C CAPACITOR		
	C 132	NCB31CK-104X	C CAPACITOR				C 257	NCB31CK-103X	C CAPACITOR		
	C 133	NCB31HK-561X	C CAPACITOR				C 258	NCB31CK-103X	C CAPACITOR		
	C 134	NCB31HK-561X	C CAPACITOR				C 259	NCB31CK-103X	C CAPACITOR		
	C 135	NCB31CK-273X	C CAPACITOR				C 260	NCB31CK-104X	C CAPACITOR		
	C 136	NCB31CK-473X	C CAPACITOR				C 261	NCB31CK-104X	C CAPACITOR		
	C 138	NCB31CK-104X	C CAPACITOR				C 262	NCB31CK-104X	C CAPACITOR		
	C 139	NCB31CK-104X	C CAPACITOR				C 263	NCB31CK-104X	C CAPACITOR		
	C 140	NEA70JM-226X	E CAPACITOR				C 264	NCB31CK-103X	C CAPACITOR		
	C 141	NCB31CK-104X	C CAPACITOR				C 271	NEA70JM-226X	E CAPACITOR		
	C 143	NCB31CK-104X	C CAPACITOR				C 273	NCB31CK-104X	C CAPACITOR		
	C 144	NCB31CK-104X	C CAPACITOR				C 274	NCB31CK-104X	C CAPACITOR		
	C 145	NCB31CK-103X	C CAPACITOR				C 275	NCB31HK-271X	C CAPACITOR		
	C 151	NEA70JM-226X	E CAPACITOR				C 277	NCB31HK-102X	C CAPACITOR		
	C 152	NEA70JM-226X	E CAPACITOR				C 278	NCB31HK-102X	C CAPACITOR		
	C 159	NCB31CK-104X	C CAPACITOR				C 281	NCB31HK-223X	C CAPACITOR		
	C 160	NCB31CK-104X	C CAPACITOR				C 282	NCB31CK-103X	C CAPACITOR		
	C 161	NEA70GM-336X	E CAPACITOR				C 286	NEA71HM-105X	E.CAPA. C.M.		
	C 201	NCB11CK-474X	C.CAPA. C.M				C 287	NCB31CK-104X	C CAPACITOR		
	C 202	NCB31HK-561X	C CAPACITOR				C 288	NEA71HM-105X	E.CAPA. C.M.		
	C 203	NCB31HK-561X	C CAPACITOR				C 301	NCB31CK-104X	C CAPACITOR		
	C 204	NCB31HK-331X	C CAPACITOR				C 302	NCB31CK-104X	C CAPACITOR		
	C 205	NCS31HJ-121X	C CAPACITOR				C 303	NCB31CK-104X	C CAPACITOR		
	C 206	NCS31HJ-271X	C CAPACITOR				C 304	NCB31CK-104X	C CAPACITOR		
	C 207	NCB31HK-471X	C CAPACITOR				C 305	NCB31CK-104X	C CAPACITOR		
	C 208	NCB31CK-104X	C CAPACITOR				C 306	NCB31CK-104X	C CAPACITOR		
	C 209	NCB31HK-102X	C CAPACITOR				C 307	NCB31CK-104X	C CAPACITOR		
	C 210	NCB31HK-102X	C CAPACITOR				C 309	NCB31CK-104X	C CAPACITOR		
	C 213	NCB31CK-104X	C CAPACITOR				C 310	NCB31CK-104X	C CAPACITOR		
	C 214	NCB31CK-104X	C CAPACITOR				C 311	NCB31CK-104X	C CAPACITOR		
	C 215	NEA70JM-336X	E CAPACITOR				C 312	NCS31HJ-180X	C CAPACITOR		
	C 216	NCB11CK-105X	C CAPACITOR				C 313	NCS31HJ-180X	C CAPACITOR		
	C 217	NEA70JM-107X	E.CAPACITOR				C 314	NCB31CK-104X	C CAPACITOR		
	C 218	NCB31CK-104X	C CAPACITOR				C 315	NCB31CK-104X	C CAPACITOR		
	C 219	NEA70JM-107X	E.CAPACITOR				C 316	NEA70GM-107X	E CAPACITOR		
	C 220	NCB11CK-105X	C CAPACITOR				C 317	NCB11CK-105X	C CAPACITOR		
	C 221	NCB31HK-561X	C CAPACITOR				C 318	NCB31CK-104X	C CAPACITOR		
	C 222	NCB31CK-104X	C CAPACITOR				C 319	NCB31CK-104X	C CAPACITOR		
	C 223	NCB31CK-104X	C CAPACITOR				C 320	NCB31CK-104X	C CAPACITOR		
	C 224	NCB31CK-104X	C CAPACITOR				C 321	NCB31CK-104X	C CAPACITOR		
	C 225	NBE91CM-105X	E CAPACITOR				C 324	NCB31CK-104X	C CAPACITOR		
	C 227	NCB31HK-102X	C CAPACITOR				C 326	NCB31CK-104X	C CAPACITOR		
	C 228	NCB31HK-102X	C CAPACITOR				C 327	NEA70GM-107X	E CAPACITOR		
	C 229	NCB31CK-104X	C CAPACITOR				C 401	NCB31CK-104X	C CAPACITOR		
	C 231	NCB31CK-103X	C CAPACITOR				C 402	NCB31CK-104X	C CAPACITOR		

■ Electrical parts list (DVD Servo Control board) Block No. 02

△	Item	Parts number	Parts name	Remarks	Area	△	Item	Parts number	Parts name	Remarks	Area
	C 405	NCB31CK-104X	C CAPACITOR				C 620	NCB31CK-104X	C CAPACITOR		
	C 406	NCB31CK-104X	C CAPACITOR				C 621	NCB31CK-104X	C CAPACITOR		
	C 407	NCB31CK-104X	C CAPACITOR				C 901	NEA70JM-226X	E CAPACITOR		
	C 408	NEA70JM-226X	E CAPACITOR				C 902	NCB31CK-104X	C CAPACITOR		
	C 409	NCB31CK-104X	C CAPACITOR				C 903	NEA70JM-226X	E CAPACITOR		
	C 412	NCB31CK-104X	C CAPACITOR				C 904	NCB31CK-104X	C CAPACITOR		
	C 501	NCB31CK-104X	C CAPACITOR				C 905	NEA70JM-107X	E.CAPACITOR		
	C 502	NCB31CK-104X	C CAPACITOR				C 906	NCB31CK-104X	C CAPACITOR		
	C 503	NCB31CK-104X	C CAPACITOR				C 907	NEA70JM-107X	E.CAPACITOR		
	C 504	NDC31HG-120X	C CAPACITOR				C 908	NCB31CK-104X	C CAPACITOR		
	C 505	NDC31HG-100X	C.CAPA. C.M				C 911	NCB31CK-104X	C CAPACITOR		
	C 509	NCB31CK-104X	C CAPACITOR				C 912	NCB31CK-104X	C CAPACITOR		
	C 510	NCB31CK-104X	C CAPACITOR				C 913	NCB31CK-104X	C CAPACITOR		
	C 511	NEA70JM-226X	E CAPACITOR				C 914	NCB31CK-104X	C CAPACITOR		
	C 512	NCB31CK-104X	C CAPACITOR				C 915	NCB31CK-104X	C CAPACITOR		
	C 513	NCB31CK-104X	C CAPACITOR				C 992	NCB31CK-104X	C CAPACITOR		
	C 514	NCB31CK-104X	C CAPACITOR				C 993	NCB31CK-104X	C CAPACITOR		
	C 515	NCB31CK-104X	C CAPACITOR				C 994	NCB31CK-104X	C CAPACITOR		
	C 516	NCB31CK-104X	C CAPACITOR				C 995	NCB31CK-104X	C CAPACITOR		
	C 517	NCB31CK-104X	C CAPACITOR				C 996	NCB31CK-104X	C CAPACITOR		
	C 518	NCB31CK-104X	C CAPACITOR				C 997	NCB31CK-104X	C CAPACITOR		
	C 519	NCB31CK-104X	C CAPACITOR				C 998	NCB31CK-104X	C CAPACITOR		
	C 520	NCB31CK-104X	C CAPACITOR				CN101	QGF0501F2-30X	FFC/FPC CONNECTOR	PU	
	C 523	NCB31CK-104X	C CAPACITOR				CN201	QGF1016F2-15W	CONNECTOR C.M	SP&STP	
	C 524	NEA70JM-226X	E CAPACITOR				CN202	QGF1016F2-06W	W TO B CONNECTOR	LOADER	
	C 525	NCB31CK-104X	C CAPACITOR				CN502	QGB2027L1-26X	B TO B CONNECTOR	SYSTEM	
	C 526	NCB31CK-104X	C CAPACITOR				CN503	QGB2027L1-26X	B TO B CONNECTOR	VIDEO	
	C 527	NEA70JM-107X	E.CAPACITOR				C1000	NCB31CK-104X	C CAPACITOR		
	C 528	NCB31CK-104X	C CAPACITOR				C1001	NCB31CK-104X	C CAPACITOR		
	C 529	NCB31CK-104X	C CAPACITOR				C1002	NCB31CK-104X	C CAPACITOR		
	C 531	NCB31CK-104X	C CAPACITOR				C1003	NCB31CK-104X	C CAPACITOR		
	C 532	NCB31CK-104X	C CAPACITOR				C1004	NCB31CK-104X	C CAPACITOR		
	C 533	NCB31CK-104X	C CAPACITOR				C1005	NCB31CK-104X	C CAPACITOR		
	C 534	NCB31CK-104X	C CAPACITOR				C1006	NCB31CK-103X	C CAPACITOR		
	C 535	NCB31CK-104X	C CAPACITOR				IC101	AN8702FH	IC		
	C 536	NCB31CK-104X	C CAPACITOR				IC102	MM3022JN-X	IC		
	C 539	NCB31CK-104X	C CAPACITOR				IC201	MN67706ZY	IC		
	C 540	NCB31CK-104X	C CAPACITOR				IC251	BA6664FM-X	LSI		
	C 541	NCB31CK-104X	C CAPACITOR				IC271	BA5983FM-X	IC		
	C 542	NCB31CK-104X	C CAPACITOR				IC301	MN103S13BDA	IC		
	C 543	NCB31CK-104X	C CAPACITOR				IC401	MN102L25GGT	IC		
	C 544	NCB31CK-104X	C CAPACITOR				IC403	BR93LC66F-X	IC		
	C 545	NCB31CK-104X	C CAPACITOR				IC501	NDV8601VWA	IC		
	C 547	NCB31CK-104X	C CAPACITOR				IC505	K4S643232E-TC60	IC		
	C 548	NCB31CK-104X	C CAPACITOR				IC509	SST39VF160-9CEK	IC		
	C 549	NEA70JM-227X	E CAPACITOR				IC510	BR93LC66F-X	IC		
	C 550	NCB31CK-104X	C CAPACITOR				IC511	LM1117MP1.8-X	IC		
	C 551	NEA70JM-227X	E CAPACITOR				IC512	74LCX373MTC-X	IC(DIGITAL)		
	C 554	NCB31CK-104X	C CAPACITOR				IC513	74LCX373MTC-X	IC(DIGITAL)		
	C 555	NCB31CK-104X	C CAPACITOR				IC521	MM74HCT32MTC-X	IC		
	C 557	NCB31CK-104X	C CAPACITOR				IC522	74LCX32MTC-X	IC(DIGITAL)		
	C 558	NCB11CK-105X	C CAPACITOR				IC523	NC7SZ125P5-X	IC(DIGITAL)		
	C 568	NEA70JM-226X	E CAPACITOR				K 102	NQR0007-002X	FERRITE BEADS		
	C 569	NCB31CK-104X	C CAPACITOR				K 103	NQR0007-002X	FERRITE BEADS		
	C 571	NEA70JM-226X	E CAPACITOR				K 104	NQR0265-003X	FERRITE BEADS		
	C 572	NCB31CK-104X	C CAPACITOR				K 201	NQR0007-002X	FERRITE BEADS		
	C 573	NEA70JM-227X	E CAPACITOR				K 202	NQR0007-002X	FERRITE BEADS		
	C 578	NCB31CK-104X	C CAPACITOR				K 203	NQR0007-002X	FERRITE BEADS		
	C 580	NEA70JM-226X	E CAPACITOR				K 301	NQR0007-002X	FERRITE BEADS		
	C 581	NEX50GM-107X	E CAPACITOR.				K 302	NQR0007-002X	FERRITE BEADS		
	C 582	NEA70JM-226X	E CAPACITOR				K 303	NQR0007-002X	FERRITE BEADS		
	C 601	NEA70JM-226X	E CAPACITOR				K 402	NQR0007-002X	FERRITE BEADS		
	C 602	NEA70JM-226X	E CAPACITOR				K 501	NQR0007-002X	FERRITE BEADS		
	C 619	NCB31CK-104X	C CAPACITOR				K 504	NQR0007-002X	FERRITE BEADS		

■ Electrical parts list (DVD Servo Control board) Block No. 02

△	Item	Parts number	Parts name	Remarks	Area	△	Item	Parts number	Parts name	Remarks	Area
	K 505	NQR0007-002X	FERRITE BEADS				R 215	NRSA63J-105X	MG RESISTOR		
	K 507	NQR0007-002X	FERRITE BEADS				R 218	NRSA63J-153X	MG RESISTOR		
	K 508	NQR0007-002X	FERRITE BEADS				R 219	NRSA63J-473X	MG RESISTOR		
	K 509	NQR0007-002X	FERRITE BEADS				R 220	NRSA63J-473X	MG RESISTOR		
	K 510	NQR0007-002X	FERRITE BEADS				R 223	NRSA63J-473X	MG RESISTOR		
	K 513	NQR0007-002X	FERRITE BEADS				R 225	NRSA63J-682X	MG RESISTOR		
	K 519	NQR0007-002X	FERRITE BEADS				R 226	NRSA63J-123X	MG RESISTOR		
	K 520	NQR0007-002X	FERRITE BEADS				R 227	NRSA63J-102X	MG RESISTOR		
	K 567	NQR0007-002X	FERRITE BEADS				R 228	NRSA63J-473X	MG RESISTOR		
	K 569	NQR0007-002X	FERRITE BEADS				R 229	NRSA63J-273X	MG RESISTOR		
	K 571	NQR0007-002X	FERRITE BEADS				R 230	NRSA63J-273X	MG RESISTOR		
	K 573	NQR0007-002X	FERRITE BEADS				R 231	NRSA63J-0R0X	MG RESISTOR		
	K 577	NQR0007-002X	FERRITE BEADS				R 232	NRSA63J-472X	MG RESISTOR		
	K 593	NQR0007-002X	FERRITE BEADS				R 233	NRSA63J-472X	MG RESISTOR		
	K 594	NQR0007-002X	FERRITE BEADS				R 234	NRSA63J-472X	MG RESISTOR		
	L 501	NQL044K-100X	INDUCTOR				R 235	NRSA63J-0R0X	MG RESISTOR		
	L 901	NQL044K-100X	INDUCTOR				R 236	NRSA63J-0R0X	MG RESISTOR		
	L 902	NQL044K-100X	INDUCTOR				R 237	NRSA63J-221X	MG RESISTOR		
	Q 101	KTA1001/Y/-X	TRANSISTOR				R 238	NRSA63J-221X	MG RESISTOR		
	Q 102	KTA1001/Y/-X	TRANSISTOR				R 239	NRSA63J-221X	MG RESISTOR		
	Q 501	2SB1424/QR/-X	TRANSISTOR				R 240	NRSA63J-221X	MG RESISTOR		
	Q 502	2SC2412K/RS/-X	CHIP TRANSISTOR				R 241	NRSA63J-221X	MG RESISTOR		
	Q 901	KTC4377/C/-X	POW TRANSISTOR				R 242	NRSA63J-102X	MG RESISTOR		
	R 101	NRSA63J-103X	MG RESISTOR				R 243	NRSA63J-102X	MG RESISTOR		
	R 102	NRSA63J-333X	MG RESISTOR				R 245	NRSA63J-102X	MG RESISTOR		
	R 103	NRSA63J-333X	MG RESISTOR				R 246	NRSA63J-102X	MG RESISTOR		
	R 104	NRS125J-270X	MG RESISTOR				R 248	NRSA63J-473X	MG RESISTOR		
	R 105	NRS125J-270X	MG RESISTOR				R 249	NRSA63J-473X	MG RESISTOR		
	R 106	NRSA63J-2R2X	MG RESISTOR				R 250	NRSA63J-473X	MG RESISTOR		
	R 107	NRSA63J-2R2X	MG RESISTOR				R 251	NRS125J-1R0X	MG RESISTOR		
	R 108	NRSA63J-473X	MG RESISTOR				R 252	NRSA63J-3R3X	MG RESISTOR		
	R 110	NRSA63J-273X	MG RESISTOR				R 254	NRSA63J-203X	MG RESISTOR		
	R 112	NRSA63J-273X	MG RESISTOR				R 255	NRSA63J-103X	MG RESISTOR		
	R 113	NRSA63J-682X	MG RESISTOR				R 256	NRSA63J-470X	MG RESISTOR		
	R 114	NRSA63J-102X	MG RESISTOR				R 257	NRS125J-1R0X	MG RESISTOR		
	R 115	NRVA63D-243X	MG RESISTOR				R 258	NRSA63J-0R0X	MG RESISTOR		
	R 116	NRSA63J-683X	MG RESISTOR				R 259	NRSA63J-103X	MG RESISTOR		
	R 117	NRSA63J-123X	MG RESISTOR				R 271	NRSA63J-470X	MG RESISTOR		
	R 118	NRSA63J-303X	MG RESISTOR				R 272	NRS125J-1R0X	MG RESISTOR		
	R 121	NRSA63J-0R0X	MG RESISTOR				R 273	NRSA63J-0R0X	MG RESISTOR		
	R 122	NRSA63J-0R0X	MG RESISTOR				R 274	NRSA63J-103X	MG RESISTOR		
	R 123	NRSA63J-0R0X	MG RESISTOR				R 275	NRSA63J-103X	MG RESISTOR		
	R 124	NRSA63J-0R0X	MG RESISTOR				R 276	NRSA63J-123X	MG RESISTOR		
	R 127	NRSA63J-222X	MG RESISTOR				R 277	NRSA63J-123X	MG RESISTOR		
	R 128	NRSA63J-105X	MG RESISTOR				R 278	NRSA63J-103X	MG RESISTOR		
	R 129	NRSA63J-105X	MG RESISTOR				R 279	NRSA63J-103X	MG RESISTOR		
	R 131	NRSA63J-822X	MG RESISTOR				R 280	NRSA63J-392X	MG RESISTOR		
	R 132	NRSA63J-103X	MG RESISTOR				R 281	NRSA63J-392X	MG RESISTOR		
	R 152	NRS125J-1R0X	MG RESISTOR				R 282	NRSA63J-103X	MG RESISTOR		
	R 153	NRS125J-4R7X	MG RESISTOR				R 283	NRSA63J-103X	MG RESISTOR		
	R 155	NRSA63J-0R0X	MG RESISTOR				R 284	NRSA63J-103X	MG RESISTOR		
	R 166	NRSA63J-182X	MG RESISTOR				R 285	NRSA63J-103X	MG RESISTOR		
	R 202	NRSA63J-473X	MG RESISTOR				R 286	NRSA63J-912X	MG RESISTOR		
	R 203	NRSA63J-473X	MG RESISTOR				R 288	NRSA63J-0R0X	MG RESISTOR		
	R 204	NRSA63J-473X	MG RESISTOR				R 289	NRSA63J-752X	MG RESISTOR		
	R 205	NRSA63J-473X	MG RESISTOR				R 290	NRSA63J-752X	MG RESISTOR		
	R 206	NRS125J-4R7X	MG RESISTOR				R 291	NRSA63J-682X	MG RESISTOR		
	R 208	NRSA63J-473X	MG RESISTOR				R 292	NRSA63J-103X	MG RESISTOR		
	R 209	NRSA63J-123X	MG RESISTOR				R 293	NRSA63J-912X	MG RESISTOR		
	R 210	NRSA63J-473X	MG RESISTOR				R 301	NRSA63J-473X	MG RESISTOR		
	R 211	NRSA63J-273X	MG RESISTOR				R 302	NRSA63J-473X	MG RESISTOR		
	R 212	NRSA63J-273X	MG RESISTOR				R 303	NRSA63J-473X	MG RESISTOR		
	R 213	NRSA63J-562X	MG RESISTOR				R 304	NRSA63J-473X	MG RESISTOR		
	R 214	NRSA63J-123X	MG RESISTOR				R 305	NRSA63J-473X	MG RESISTOR		

■ Electrical parts list (DVD Servo Control board) Block No. 02

△	Item	Parts number	Parts name	Remarks	Area
	R 306	NRSA63J-473X	MG RESISTOR		
	R 307	NRSA63J-473X	MG RESISTOR		
	R 308	NRSA63J-473X	MG RESISTOR		
	R 309	NRSA63J-103X	MG RESISTOR		
	R 310	NRSA63J-102X	MG RESISTOR		
	R 311	NRSA63J-102X	MG RESISTOR		
	R 316	NRSA63J-105X	MG RESISTOR		
	R 317	NRSA63J-0R0X	MG RESISTOR		
	R 318	NRSA63J-0R0X	MG RESISTOR		
	R 322	NRSA63J-473X	MG RESISTOR		
	R 324	NRSA63J-473X	MG RESISTOR		
	R 328	NRSA63J-473X	MG RESISTOR		
	R 345	NRSA63J-562X	MG RESISTOR		
	R 346	NRSA63J-472X	MG RESISTOR		
	R 347	NRSA63J-102X	MG RESISTOR		
	R 348	NRSA63J-102X	MG RESISTOR		
	R 349	NRSA63J-102X	MG RESISTOR		
	R 350	NRSA63J-102X	MG RESISTOR		
	R 364	NRSA63J-0R0X	MG RESISTOR		
	R 403	NRSA63J-472X	MG RESISTOR		
	R 405	NRSA63J-472X	MG RESISTOR		
	R 408	NRSA63J-472X	MG RESISTOR		
	R 411	NRSA63J-472X	MG RESISTOR		
	R 412	NRSA63J-472X	MG RESISTOR		
	R 413	NRSA63J-472X	MG RESISTOR		
	R 414	NRSA63J-472X	MG RESISTOR		
	R 415	NRSA63J-472X	MG RESISTOR		
	R 416	NRSA63J-472X	MG RESISTOR		
	R 417	NRSA63J-472X	MG RESISTOR		
	R 418	NRSA63J-472X	MG RESISTOR		
	R 421	NRSA63J-0R0X	MG RESISTOR		
	R 521	NRSA63J-103X	MG RESISTOR		
	R 531	NRSA63J-562X	MG RESISTOR		
	R 532	NRSA63J-392X	MG RESISTOR		
	R 533	NRSA63J-102X	MG RESISTOR		
	R 534	NRSA63J-561X	MG RESISTOR		
	R 535	NRSA63J-333X	MG RESISTOR		
	R 536	NRSA63J-102X	MG RESISTOR		
	R 541	NRSA63J-0R0X	MG RESISTOR		
	R 543	NRSA63J-0R0X	MG RESISTOR		
	R 544	NRSA63J-471X	MG RESISTOR		
	R 545	NRSA63J-471X	MG RESISTOR		
	R 546	NRSA63J-471X	MG RESISTOR		
	R 547	NRSA63J-0R0X	MG RESISTOR		
	R 550	NRSA63J-471X	MG RESISTOR		
	R 551	NRSA63J-0R0X	MG RESISTOR		
	R 552	NRSA63J-0R0X	MG RESISTOR		
	R 553	NRSA63J-0R0X	MG RESISTOR		
	R 565	NRVA63D-622X	CMF RESISTOR		
	R 566	NRVA63D-132X	MG.RESI C.M		
	R 567	NRVA63D-101X	MG RESISTOR		
	R 568	NRVA63D-750X	MF RESISTOR		
	R 569	NRVA63D-820X	RES. C.M		
	R 570	NRSA63J-100X	MG RESISTOR		
	R 572	NRVA63D-820X	RES. C.M		
	R 573	NRSA63J-162X	MG RESISTOR		
	R 574	NRSA63J-162X	MG RESISTOR		
	R 575	NRSA63J-471X	MG RESISTOR		
	R 576	NRSA63J-471X	MG RESISTOR		
	R 578	NRSA63J-471X	MG RESISTOR		
	R 583	NRSA63J-471X	MG RESISTOR		
	R 584	NRSA63J-332X	MG RESISTOR		
	R 586	NRSA02J-0R0X	MG RESISTOR		
	R 587	NRSA02J-0R0X	MG RESISTOR		

△	Item	Parts number	Parts name	Remarks	Area
	R 608	NRSA63J-103X	MG RESISTOR		
	R 655	NRSA63J-0R0X	MG RESISTOR		
	R 701	NRSA63J-0R0X	MG RESISTOR		
	R 702	NRSA63J-0R0X	MG RESISTOR		
	R 703	NRSA63J-0R0X	MG RESISTOR		
	R 704	NRSA63J-0R0X	MG RESISTOR		
	R 705	NRSA63J-0R0X	MG RESISTOR		
	R 706	NRSA63J-0R0X	MG RESISTOR		
	R 707	NRSA63J-0R0X	MG RESISTOR		
	R 708	NRSA63J-0R0X	MG RESISTOR		
	R 709	NRSA63J-0R0X	MG RESISTOR		
	R 710	NRSA63J-0R0X	MG RESISTOR		
	R 711	NRSA63J-0R0X	MG RESISTOR		
	R 712	NRSA63J-0R0X	MG RESISTOR		
	R 733	NRSA63J-0R0X	MG RESISTOR		
	R 734	NRSA63J-0R0X	MG RESISTOR		
	R 737	NRSA63J-0R0X	MG RESISTOR		
	R 738	NRSA63J-152X	MG RESISTOR		
	R 739	NRSA63J-0R0X	MG RESISTOR		
	R 740	NRSA63J-0R0X	MG RESISTOR		
	R 901	NRSA63J-0R0X	MG RESISTOR		
	R 991	NRSA63J-220X	MG RESISTOR		
	R 995	NRSA63J-223X	MG RESISTOR		
	R 996	NRSA63J-0R0X	MG RESISTOR		
	X 301	NAX0375-001X	CRYSTAL	16.9344MHZ	
	X 401	NAX0291-001X	C OSCILLATOR		
	X 501	NAX0481-001X	CRYSTAL		

■ Electrical parts list (Main board)

Block No. 01

△	Item	Parts number	Parts name	Remarks	Area
	BK 1	LE20539-001A	FL HOLDER		
	C 1	QEKC1HM-475Z	E.CAPACITOR	4.7MF 20% 50V	
	C 2	QEKC1HM-475Z	E.CAPACITOR	4.7MF 20% 50V	
	C 3	NCB31CK-104X	C CAPACITOR		
	C 4	QEKC1AM-476Z	E.CAPACITOR	47MF 20% 10V	
	C 5	QETN1AM-107Z	E CAPACITOR	100MF 20% 10V	
	C 6	NCB31CK-104X	C CAPACITOR		
	C 7	NCB31CK-103X	C CAPACITOR		
	C 8	QETN1HM-105Z	E CAPACITOR	1.0MF 20% 50V	
	C 9	NCS31HJ-331X	C.CAPA. C.M		
	C 21	NCS31HJ-300X	C CAPACITOR		
	C 22	NCS31HJ-300X	C CAPACITOR		
	C 111	QETN1AM-107Z	E CAPACITOR	100MF 20% 10V	
	C 700	QETN0JM-227Z	E CAPACITOR	220MF 20% 6.3V	
	C 703	QETN1AM-227Z	E CAPACITOR	220MF 20% 10V	
	C 707	QETN0JM-107Z	E CAPACITOR	100MF 20% 6.3V	
	C 711	QCZ0202-155Z	ML C CAPA I/M	1.5MF	
	C 713	NCS31HJ-471X	C CAPACITOR		
	C 714	QETN0JM-108Z	E CAPACITOR	1000MF 20% 6.3V	
	C 715	QCZ0202-155Z	ML C CAPA I/M	1.5MF	
	C 716	QETN0JM-108Z	E CAPACITOR	1000MF 20% 6.3V	
	C 717	QCZ0202-155Z	ML C CAPA I/M	1.5MF	
	C 721	QCZ0202-155Z	ML C CAPA I/M	1.5MF	
	C 730	QFV21HJ-224Z	MF CAPACITOR	.22MF 5% 50V	
	C 731	QFN31HJ-103Z	M CAPACITOR	.010MF 5% 50V	
	C 735	NCB31CK-104X	C CAPACITOR		
	C 740	QFN31HJ-102Z	M CAPACITOR	1000PF 5% 50V	
	C 741	QFP31HJ-221Z	PP CAPACITOR	220PF 5% 50V	
	C 742	QFN31HJ-332Z	M CAPACITOR	3300PF 5% 50V	
	C 744	QFN31HJ-681Z	M.CAPA. I.M	680PF 5% 50V	
	C 745	QFN31HJ-103Z	M CAPACITOR	.010MF 5% 50V	
	C 746	QETN1EM-226Z	E CAPACITOR	22MF 20% 25V	
	C 747	QFN31HJ-222Z	M CAPACITOR	2200PF 5% 50V	
	C 748	QFN31HJ-681Z	M.CAPA. I.M	680PF 5% 50V	
	C 749	QFN31HJ-681Z	M.CAPA. I.M	680PF 5% 50V	
	C 750	QFN31HJ-102Z	M CAPACITOR	1000PF 5% 50V	
	C 751	QFP31HJ-221Z	PP CAPACITOR	220PF 5% 50V	
	C 752	QFN31HJ-332Z	M CAPACITOR	3300PF 5% 50V	
	C 754	QFN31HJ-681Z	M.CAPA. I.M	680PF 5% 50V	
	C 755	QFN31HJ-103Z	M CAPACITOR	.010MF 5% 50V	
	C 756	QETN1EM-226Z	E CAPACITOR	22MF 20% 25V	
	C 757	QFN31HJ-222Z	M CAPACITOR	2200PF 5% 50V	
	C 761	QETN1CM-107Z	E CAPACITOR	100MF 20% 16V	
	C 762	QETN1CM-107Z	E CAPACITOR	100MF 20% 16V	
	C 771	QETN1CM-107Z	E CAPACITOR	100MF 20% 16V	
	C 772	QETN1CM-107Z	E CAPACITOR	100MF 20% 16V	
	C 797	NCB31HK-152X	C CAPACITOR		
	C 801	QETN1AM-107Z	E CAPACITOR	100MF 20% 10V	
	C 802	NCB31CK-104X	C CAPACITOR		
	C 803	NCB31CK-104X	C CAPACITOR		
	C 806	QETN0JM-477Z	E CAPACITOR	470MF 20% 6.3V	
	C 807	QETN0JM-477Z	E CAPACITOR	470MF 20% 6.3V	
	C 808	QETN0JM-477Z	E CAPACITOR	470MF 20% 6.3V	
	C 809	QETN0JM-477Z	E CAPACITOR	470MF 20% 6.3V	
	C 810	QETN0JM-477Z	E CAPACITOR	470MF 20% 6.3V	
	C 811	NCB31CK-104X	C CAPACITOR		
	C 818	QETN1HM-475Z	E CAPACITOR	4.7MF 20% 50V	
	C 819	NCB31CK-104X	C CAPACITOR		
△	C 902	QFZ9040-683	M CAPACITOR	.068MF	
△	C 903	QFZ9040-683	M CAPACITOR	.068MF	
△	C 905	QCZ9079-102	C CAPACITOR	1000PF	
△	C 906	QCZ9079-102	C CAPACITOR	1000PF	
△	C 907	QETM2DM-157	E CAPACITOR	J/C/DOM	
	C 908	NZZ000000000500	C CAPACITOR		

△	Item	Parts number	Parts name	Remarks	Area
	C 909	NZZ000000000499	C CAPACITOR		
	C 910	NCS31HJ-221X	C.CAPA. C.M		
	C 913	NZZ000000000499	C CAPACITOR		
	C 914	QEZ0532-396Z	E CAPACITOR	39MF	
	C 915	NCB31HK-471X	C CAPACITOR		
	C 918	QCFB1HZ-104Y	C CAPACITOR	.10MF +80:-20%	
	C 960	QEZ0529-826Z	E CAPACITOR	82MF	
	C 961	NCB31CK-104X	C CAPACITOR		
	C 962	QETN1HM-226Z	E CAPACITOR	22MF 20% 50V	
	C 963	QEZ0533-396Z	E CAPACITOR	39MF	
	C 964	NCB31CK-104X	C CAPACITOR		
	C 965	QEZ0528-108	E CAPACITOR	1000MF	
	C 966	QETN1AM-477Z	E CAPACITOR	470MF 20% 10V	
	C 967	NCB31CK-104X	C CAPACITOR		
	C 968	NCB31CK-104X	C CAPACITOR		
	C 969	QETN1AM-227Z	E CAPACITOR	220MF 20% 10V	
	C 970	NCB31CK-104X	C CAPACITOR		
	C 973	QETN1AM-107Z	E CAPACITOR	100MF 20% 10V	
	C 978	QETN1AM-107Z	E CAPACITOR	100MF 20% 10V	
	C 979	QEZ0530-827	E CAPACITOR	820MF	
	C 981	NCB31CK-104X	C CAPACITOR		
	C 982	QEZ0532-187Z	E CAPACITOR	180MF	
	C 984	QETN1EM-107Z	E CAPACITOR	100MF 20% 25V	
	C 987	QEZ0532-187Z	E CAPACITOR	180MF	
	C 989	QETN1EM-107Z	E CAPACITOR	100MF 20% 25V	
	C 992	QETN1HM-474Z	E CAPACITOR	.47MF 20% 50V	
	C 993	NCS31HJ-101X	C.CAPA. C.M		
	C 995	NCB31CK-104X	C CAPACITOR		
	C 997	QETN1CM-227Z	E CAPACITOR	220MF 20% 16V	
	CN 3	QGD2501C1-03Z	SOCKET		
	CN512	QGB2027M8-26	B TO B CONNECTOR		
	CN513	QGB2027M8-26	B TO B CONNECTOR		
△	CP951	ICP-N10-T	ICP		
	C1701	QETN1EM-476Z	E CAPACITOR	47MF 20% 25V	
	C1702	QETN1EM-476Z	E CAPACITOR	47MF 20% 25V	
	C1703	NCS31HJ-151X	C CAPACITOR		
	C1704	NCS31HJ-221X	C.CAPA. C.M		
	C1706	NCB31CK-223X	C CAPACITOR		
	D 1	SPR-325MVW/L-T	LED	STANDBY	
	D 2	SPR-325MVW/L-T	LED	PROGRESSIVE	
	D 4	1SS355-X	DIODE		
	D 9	1SS355-X	DIODE		
	D 702	MTZJ3.3B-T2	ZENER DIODE IM		
△	D 901	S1WB/A/60-4101	BRIDGE DIODE		
△	D 902	F1T4-T2	FR DIODE		
△	D 903	F1T4-T2	FR DIODE		
△	D 904	F1T4-T2	FR DIODE		
△	D 908	F1T4-T2	FR DIODE		
△	D 910	F1T4-T2	FR DIODE		
	D 911	1SS355-X	DIODE		
△	D 950	F1T4-T2	FR DIODE		
△	D 951	F1T4-T2	FR DIODE		
△	D 952	F1T4-T2	FR DIODE		
△	D 953	FMB-24	FUSEIODE		
△	D 954	F1T4-T2	FR DIODE		
△	D 956	F1T4-T2	FR DIODE		
△	D 957	F1T4-T2	FR DIODE		
	D 960	MTZJ4.7B-T2	Z DIODE I M		
	D 991	MTZJ5.1C-T2	ZENER DIODE		
	DI 1	QLF0090-001	FL TUBE		
	EP711	QNZ0136-001Z	EARTH PLATE		
	EP901	QNZ0136-001Z	EARTH PLATE		
	EP902	QNZ0136-001Z	EARTH PLATE		
	EP951	QNZ0136-001Z	EARTH PLATE		

■ Electrical parts list (Main board)

Block No. 01

△	Item	Parts number	Parts name	Remarks	Area	△	Item	Parts number	Parts name	Remarks	Area
△	FC901	QNG0003-001Z	FUSE CLIP			R 12	NRSA63J-391X	MG RESISTOR			
△	FC902	QNG0003-001Z	FUSE CLIP			R 13	NRSA63J-391X	MG RESISTOR			
	FS745	VYSH101-009	SPACER			R 14	NRSA63J-201X	MG RESISTOR			
	FS755	VYSH101-009	SPACER			R 15	NRSA63J-201X	MG RESISTOR			
	FW 1	QUM104-11Z4Z4	PARA RIBON WIRE			R 16	NRSA63J-222X	MG RESISTOR			
	FW 2	QUM109-11DGZ4	PARA RIBON WIRE	TO CN2		R 18	NRSA63J-102X	MG RESISTOR			
	FW 3	QUM103-11DGZ4	PARA RIBON WIRE	TO CN3		R 19	NRSA63J-472X	MG RESISTOR			
	HS952	LV41785-001A	HEAT SINK			R 20	NRSA63J-102X	MG RESISTOR			
	IC 1	GP1U271X	RM RECIVER			R 21	NRSA63J-103X	MG RESISTOR			
	IC 2	UPD780232GC-044	MASK	SYSTEM MICOM		R 22	NRSA63J-103X	MG RESISTOR			
	IC 3	PST574CMT-X	IC			R 23	NRSA63J-222X	MG RESISTOR			
	IC703	MN35505-X	IC C M			R 705	NRSA63J-105X	MG RESISTOR			
	IC704	TC7SH08F-X	IC C.M			R 706	NRSA63J-104X	MG RESISTOR			
	IC741	NJM4580M-X	IC			R 708	NRSA63J-101X	MG RESISTOR			
	IC751	NJM4580M-X	IC			R 711	QRE141J-100Y	C RESISTOR	10 5% 1/4W		
	IC801	BA7660FS-X	V.BUFFER			R 712	QRE141J-100Y	C RESISTOR	10 5% 1/4W		
	IC802	BA7665FS-X	V.BUFFER			R 713	QRE141J-470Y	C RESISTOR	47 5% 1/4W		
△	IC901	STR-G6651	IC			R 715	QRE141J-470Y	C RESISTOR	47 5% 1/4W		
	IC951	PQ05RD21	IC			R 721	NRSA63J-471X	MG RESISTOR			
	IC952	SI-3033C	IC			R 723	NRSA63J-471X	MG RESISTOR			
	J 700	QNN0432-001	OPT TRANSMITTER	AUDIO L/R		R 724	NRSA63J-471X	MG RESISTOR			
	J 701	QNN0347-001	PIN JACK	COAXIAL		R 725	NRSA63J-471X	MG RESISTOR			
	J 702	QNS0089-001	3.5 JACK	AV COMPULINK		R 726	QRE141J-220Y	C RESISTOR	22 5% 1/4W		
	J 703	QNZ0487-001	OPT TRANSMITTER	OPT DIGITAL OUT		R 728	NRSA63J-471X	MG RESISTOR			
	J 801	QNN0430-001	PIN JACK	COMPONENT		R 729	NRSA63J-471X	MG RESISTOR			
	J 802	QNN0434-001	PIN JACK	S/COMP.		R 731	QRE141J-332Y	C RESISTOR	3.3K 5% 1/4W		
	JT102	QGD2501C1-05Z	SOCKET I.M	CN2		R 740	QRE141J-273Y	C RESISTOR	27K 5% 1/4W		
	JT202	QGD2501C1-04Z	SOCKET	CN2		R 741	QRE141J-273Y	C RESISTOR	27K 5% 1/4W		
	K 701	NQR0227-004X	FERRITE BEADS			R 742	QRA14CF-1802Y	M.F.RESISTOR	18 1/4W		
	K 703	NQR0227-004X	FERRITE BEADS			R 743	QRA14CF-1802Y	M.F.RESISTOR	18 1/4W		
	K 704	NQR0227-004X	FERRITE BEADS			R 744	NRSA63J-362X	MG RESISTOR			
	K 705	NQR0227-004X	FERRITE BEADS			R 746	NRSA63F-332X	MG RESISTOR			
	K 706	NQR0227-004X	FERRITE BEADS			R 747	NRSA63J-362X	MG RESISTOR			
	K 801	QQR0601-001Z	FERRITE BEADS			R 748	QRE141J-112Y	C RESISTOR	1.1K 5% 1/4W		
	K 902	QQR1183-001Z	F.BEADS I.M			R 750	QRE141J-273Y	C RESISTOR	27K 5% 1/4W		
	L 709	QQL231K-2R2Y	INDUCTOR I.M			R 751	QRE141J-273Y	C RESISTOR	27K 5% 1/4W		
	L 801	QQR1089-001	LPF			R 752	QRA14CF-1802Y	M.F.RESISTOR	18 1/4W		
	L 802	QQR1088-001	LPF			R 753	QRA14CF-1802Y	M.F.RESISTOR	18 1/4W		
	L 803	QQR1088-001	LPF			R 754	NRSA63J-362X	MG RESISTOR			
	L 804	QQR1088-001	LPF			R 756	NRSA63F-332X	MG RESISTOR			
△	L 901	QQR1105-001	LINE FILTER			R 757	NRSA63J-362X	MG RESISTOR			
	L 952	QQL26AK-220Z	INDUCTOR			R 758	QRE141J-112Y	C RESISTOR	1.1K 5% 1/4W		
	L 955	QQL26AK-220Z	INDUCTOR			R 761	QRE141J-112Y	C RESISTOR	1.1K 5% 1/4W		
	L 957	QQL244K-100Z	INDUCTOR			R 762	QRE141J-152Y	C RESISTOR	1.5K 5% 1/4W		
	L 959	QQL244K-100Z	INDUCTOR			R 763	NRSA63J-362X	MG RESISTOR			
	P 901	QNC0082-001	AC INLET	J/C		R 764	QRE141J-183Y	C RESISTOR	18K 5% 1/4W		
△	PC901	PC123Y02	IC(PHOTO COUPLE			R 765	QRE141J-561Y	C RESISTOR	560 5% 1/4W		
△	PC902	PC123Y02	IC(PHOTO COUPLE			R 766	QRE141J-273Y	C RESISTOR	27K 5% 1/4W		
	Q 2	KRC107S-X	DIGITAL.TR			R 767	QRE141J-101Y	C RESISTOR	100 5% 1/4W		
	Q 4	DTC144WKA-X	TRANSISTOR			R 768	NRSA63J-103X	MG RESISTOR			
	Q 5	KRA102S-X	DIGITAL.TR			R 771	QRE141J-112Y	C RESISTOR	1.1K 5% 1/4W		
	Q 743	2SD2144S/VW/-T	TRANSISTOR	AMUTE1		R 772	QRE141J-152Y	C RESISTOR	1.5K 5% 1/4W		
	Q 753	2SD2144S/VW/-T	TRANSISTOR	AMUTE1		R 773	NRSA63J-362X	MG RESISTOR			
	Q 791	2SC2412K/RS/-X	CHIP TRANSISTOR			R 774	QRE141J-183Y	C RESISTOR	18K 5% 1/4W		
	Q 951	KTD863/Y/-T	TRANSISTOR			R 775	QRE141J-561Y	C RESISTOR	560 5% 1/4W		
	Q 952	KRA104S-X	DIGITAL.TR			R 776	QRE141J-273Y	C RESISTOR	27K 5% 1/4W		
	Q 991	KTC3199/Y/-T	TR I/M			R 777	QRE141J-101Y	C RESISTOR	100 5% 1/4W		
	R 3	NRSA63J-431X	MG RESISTOR			R 778	NRSA63J-103X	MG RESISTOR			
	R 4	NRSA63J-431X	MG RESISTOR			R 782	QRE141J-221Y	C RESISTOR	220 5% 1/4W		
	R 5	NRSA63J-561X	MG RESISTOR			R 783	QRE141J-221Y	C RESISTOR	220 5% 1/4W		
	R 6	NRSA63J-431X	MG RESISTOR			R 789	NRSA63J-103X	MG RESISTOR			
	R 7	NRSA63J-222X	MG RESISTOR			R 792	QRE141J-221Y	C RESISTOR	220 5% 1/4W		
	R 8	NRSA63J-681X	MG RESISTOR			R 793	QRE141J-221Y	C RESISTOR	220 5% 1/4W		
	R 9	NRSA63J-681X	MG RESISTOR			R 794	NRSA63J-103X	MG RESISTOR			

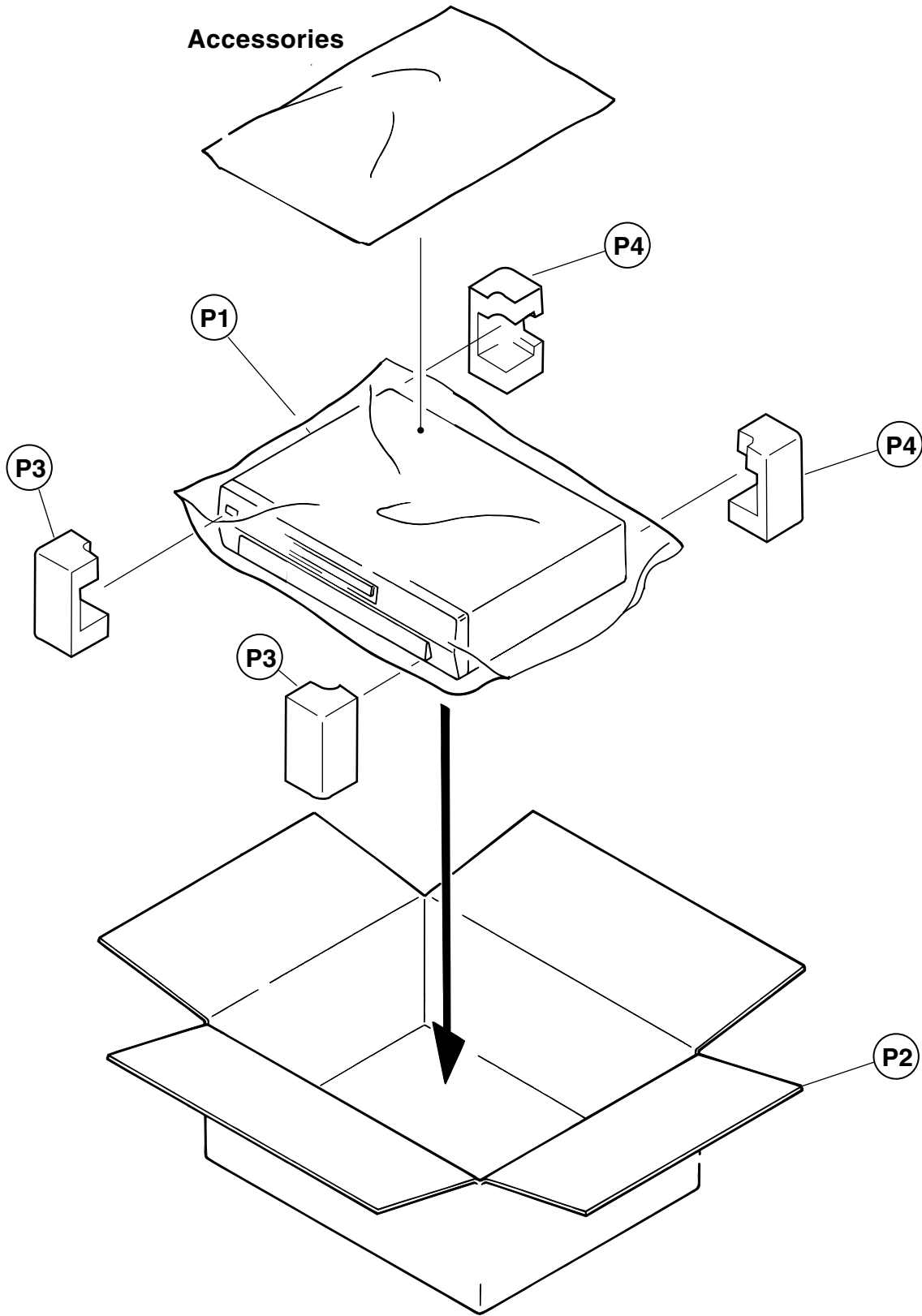
■ Electrical parts list (Main board)

Block No. 01

△	Item	Parts number	Parts name	Remarks	Area
	R 795	NRSA63J-103X	MG RESISTOR		
	R 796	NRSA63J-103X	MG RESISTOR		
	R 797	QRE141J-473Y	C RESISTOR	47K 5% 1/4W	
	R 799	NRSA63J-333X	MG RESISTOR		
	R 801	NRSA63J-750X	MG RESISTOR		
	R 802	NRSA63J-750X	MG RESISTOR		
	R 803	NRSA63J-750X	MG RESISTOR		
	R 804	NRSA63J-750X	MG RESISTOR		
	R 805	NRSA63J-750X	MG RESISTOR		
	R 808	NRSA63J-750X	MG RESISTOR		
	R 831	NRSA63J-102X	MG RESISTOR		
	R 833	NRSA63J-750X	MG RESISTOR		
	R 834	NRSA63J-102X	MG RESISTOR		
	R 835	NRSA63J-750X	MG RESISTOR		
	R 836	NRSA63J-102X	MG RESISTOR		
	R 837	NRSA63J-750X	MG RESISTOR		
	R 838	NRSA63J-102X	MG RESISTOR		
	R 839	NRSA63J-750X	MG RESISTOR		
	R 840	NRSA63J-103X	MG RESISTOR		
	R 900	NRSA63J-221X	MG RESISTOR		
△	R 901	QRL01DJ-683X	OMF RESISTOR	68K 5% 1/1W	
△	R 903	QRE141J-270Y	C RESISTOR	27 5% 1/4W	
	R 904	QRE141J-222Y	C RESISTOR	2.2K 5% 1/4W	
	R 905	QRL027J-683	OMF RESISTOR	68K 5% 1/2W	
	R 906	QRE141J-681Y	C RESISTOR	680 5% 1/4W	
△	R 907	QRT022J-R47	OMF RESISTOR	5% 1/2W	
	R 908	QRE141J-332Y	C RESISTOR	3.3K 5% 1/4W	
	R 910	QRE141J-754Y	C RESISTOR	750K 5% 1/4W	
	R 911	QRE141J-754Y	C RESISTOR	750K 5% 1/4W	
	R 920	QRZ9044-335	COMP.RESISTOR	3.3M 1/0W	
	R 952	NRSA63J-103X	MG RESISTOR		
	R 953	NRSA63J-103X	MG RESISTOR		
	R 955	NRSA63J-223X	MG RESISTOR		
	R 956	QRE141J-120Y	C RESISTOR	12 5% 1/4W	
	R 960	NRSA63J-101X	MG RESISTOR		
	R 961	NRSA63J-681X	MG RESISTOR		
	R 963	NRSA63J-101X	MG RESISTOR		
	R 965	NRSA63J-103X	MG RESISTOR		
	R 969	NRSA63J-221X	MG RESISTOR		
△	R 992	QRZ9005-100X	F.RES I/M	10 1/0W	
	R1500	QRA141CF-1802Y	MG.RES C.M	1/4W	
	R1501	QRA141CF-1802Y	MG.RES C.M	1/4W	
	R1721	QRE141J-331Y	C RESISTOR	330 5% 1/4W	
	R1722	NRSA63J-750X	MG RESISTOR		
	R1723	NRSA63J-270X	MG RESISTOR		
	R1724	NRSA63J-101X	MG RESISTOR		
	S 1	QSW0651-001Z	TACT SWITCH		
	S 2	QSW0651-001Z	TACT SWITCH		
	S 3	QSW0651-001Z	TACT SWITCH		
	S 4	QSW0651-001Z	TACT SWITCH		
	S 5	QSW0651-001Z	TACT SWITCH		
	S 6	QSW0651-001Z	TACT SWITCH		
	S 7	QSW0651-001Z	TACT SWITCH		
△	T 901	QQS0100-001	SW TRANSF		
	T1701	QQR1185-001	PULSE TRANS		
	X 1	NAX0477-001X	RESONATOR I.M		

Packing materials and accessories parts list

Block No. M4MM
Block No. M5MM



■ Packing list

Block No. M4MM

△	Item	Parts number	Parts name	Q'ty	Description	Area
	P 1	QPC06005515P	POLY BAG	1		
	P 2	LE30945-025A	PACKING CASE	1		62
		LE30945-031A	PACKING CASE	1		65
		LE30945-022A	PACKING CASE	1		60C, 60J
	P 3	LE20607-001A	PACKING PAD(F)	1		
	P 4	LE20608-001A	PACKING PAD(R)	1		

■ Accessories list

Block No. M5MM

△	Item	Parts number	Parts name	Q'ty	Description	Area
	A 1	LET0184-002A	INST.BOOK	1		60C
		LET0184-001A	INST.BOOK	1		60J, 62, 65
△	A 2	QMPE200-183-JC	POWER CORD	1		
	A 3	BT-51020-2	J=REGIST CARD	1		60J, 62, 65
	A 4	YU20333	SAFETY INST.	1		60J, 62, 65
	A 5	QAM0328-001	AV CORD 3P	1		
	A 6	QAM0358-001	COMP.CORD 3P	1		
	A 7	RM-SXVS60J	REMOCON UNIT	1		60C, 60J
		RM-SXVS65J	REMOCON UNIT	1		62, 65
	A 8	-----	BATTERY	2		
	A 9	QPC02504015P	POLY BAG	1		
	A 10	BT-52004-2	WARRANTY CARD	1		60C
	A 11	BT-20071B	SERVICE NETWORK	1		60C

Explanation of area column

60J=XV-S60BK ver.J
60C=XV-S60BK ver.C
62 =XV-S62SL ver.J
65 =XV-S65GD ver.J